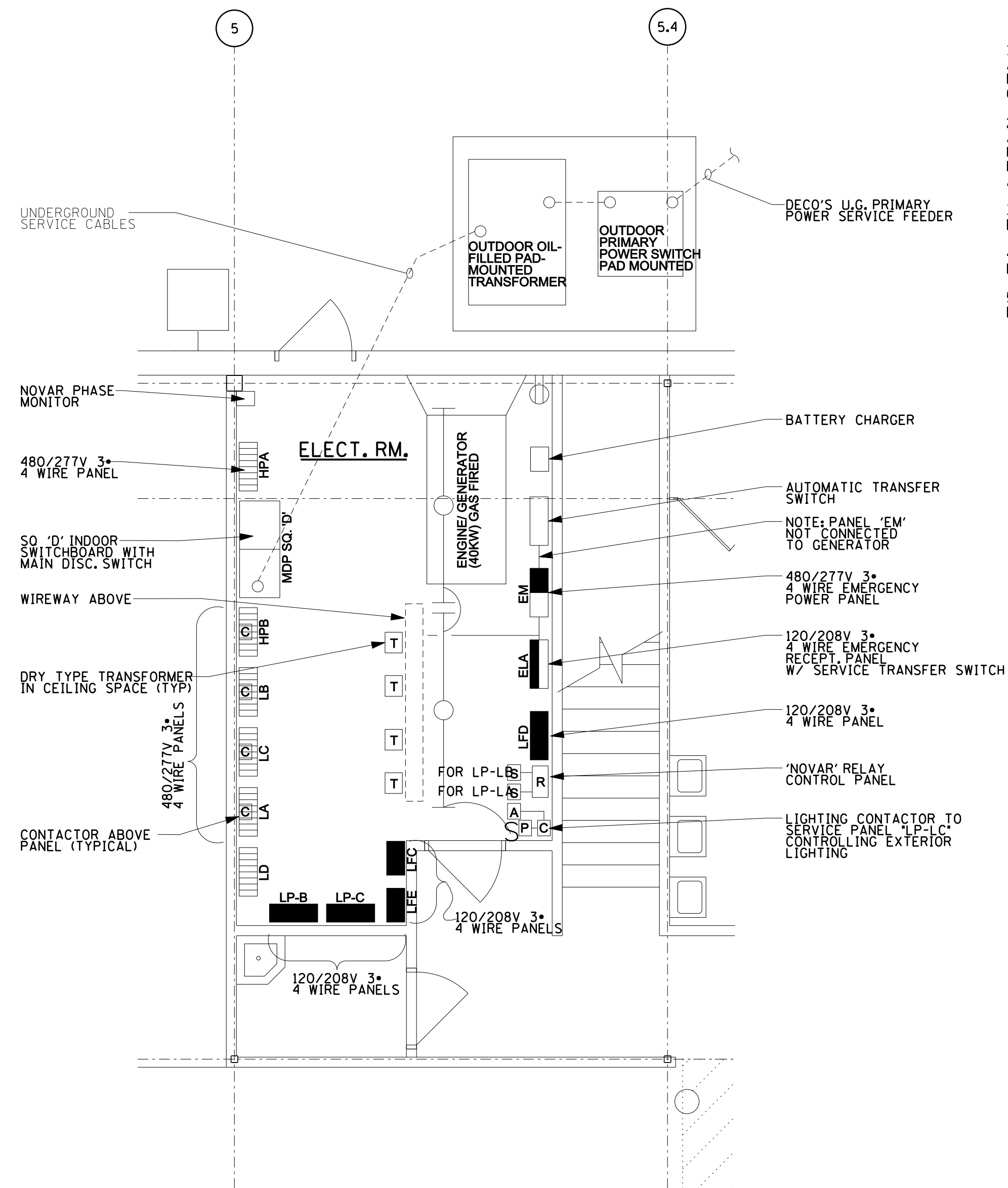


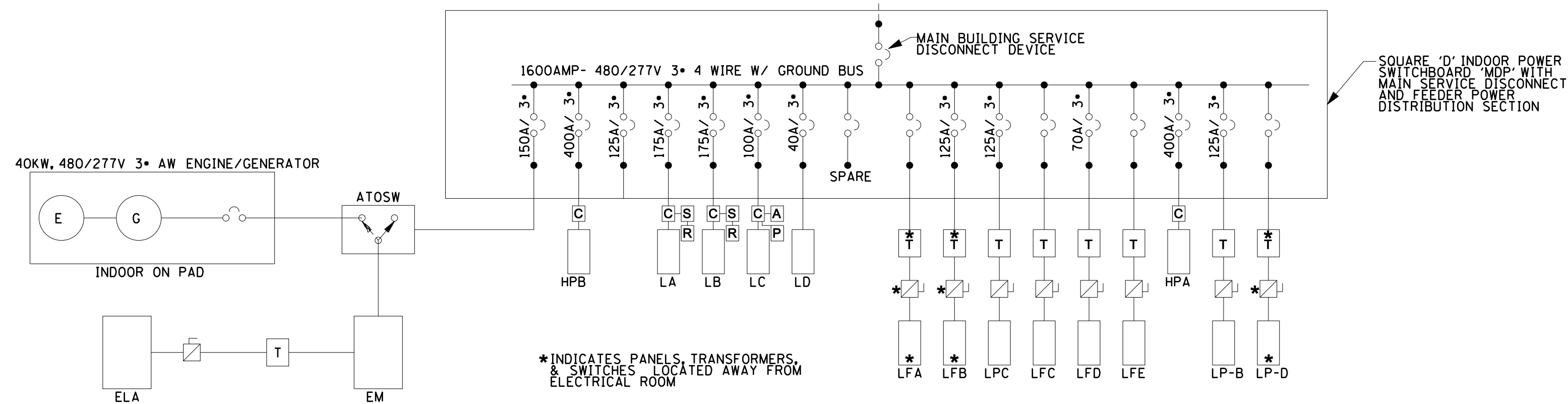
NOTES:

1. THE ELECTRICAL INSTALLATION SHALL MEET ALL REQUIREMENTS AS OUTLINED IN MICHIGAN ELECTRICAL CODE INCORPORATING 2008 NATIONAL ELECTRICAL CODE, APPLICABLE STATE AND LOCAL CODES, AS WELL AS UL/OSHA/BOCA REQUIREMENTS.
2. THE EXISTING ELECTRICAL LAYOUT IS PREPARED BASED ON ACTUAL SITE OBSERVATIONS/ VISUAL AND PROVIDED HEREWITHIN AS A GUIDELINE. THE CONTRACTOR SHALL FIELD VERIFY THE EXISTING ELECTRICAL CONDITIONS AS REQUIRED.
3. REFER TO DRAWING E6.1 FOR EXIT AND EMERGENCY LIGHTING LOCATIONS AND WIRING.
4. REFER TO DRAWING L9.1 FOR FLAGPOLE LIGHTING LOCATIONS AND WIRING.
5. ALL WIRING DEVICES (RECEPTACLES, SWITCHES, ETC.) SHALL BE INDUSTRIAL SPECIFICATION GRADE.



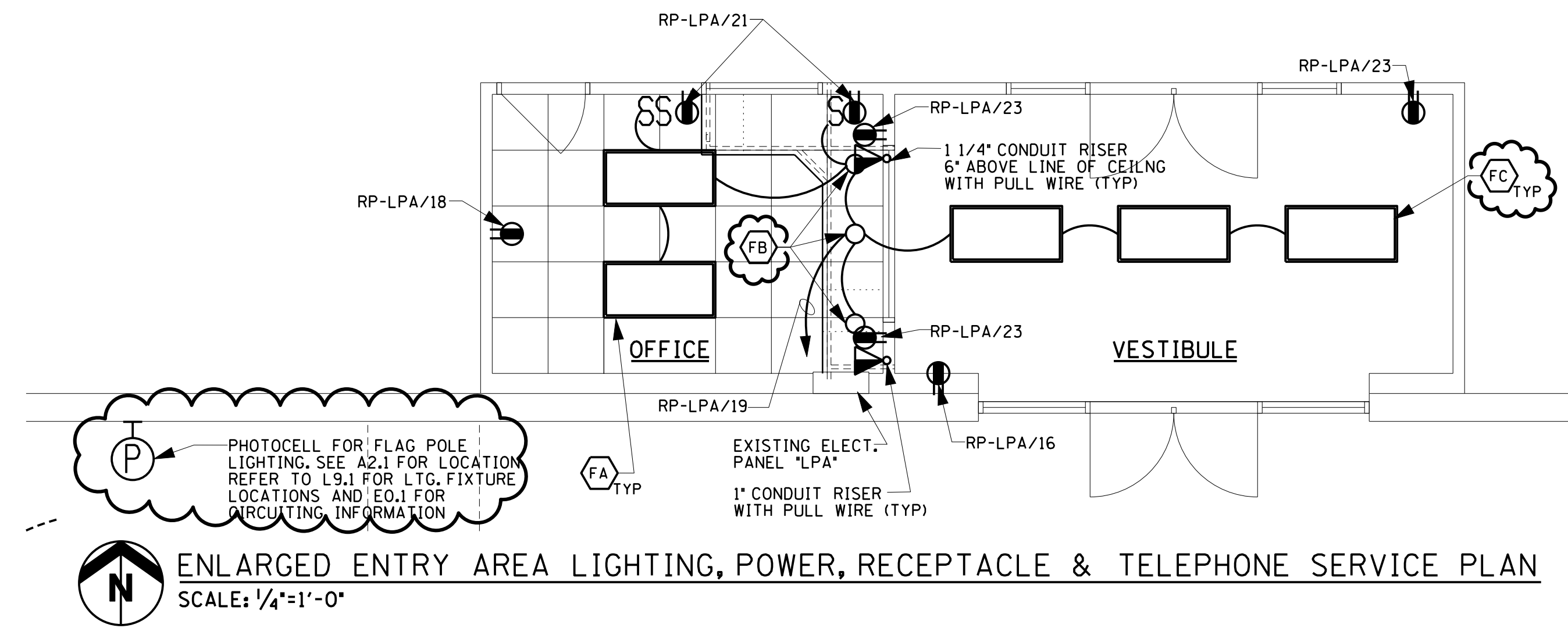
ENLARGED ELECTRICAL ROOM PLAN- EXISTING EQUIPMENT LAYOUT
SCALE: 1/4"=1'-0"

- SYMBOLS**
- C CONTACTOR
 - S SWITCH-SINGLE POLE
 - R RELAY PANEL
 - A ASTRONOMICAL CLOCK TIMER
 - P PHOTO CELL



EXISTING POWER SYSTEM ONE-LINE DIAGRAM

- SYMBOLS**
- 20V-20A DUPLEX OUTLET NEMA 5-20R
 - COMBINATION TELEPHONE/DATA OUTLET (NEXT TO POWER OUTLET)
 - RECESSED 3-GANG FLOOR BOX WITH: 1-20A 120V DUPLEX OUTLET, 1-TEL (VOICE) SERVICE OUTLET, 1-DATA (SIGNAL) SERVICE OUTLET
 - 2"x4"- 3 LAMP FLOURESCENT LIGHT FIXTURE (RECESSED)
 - S SINGLE POLE 120V LIGHT SWITCH
 - O 6" COMPACT FLOURESCENT LIGHTING FIXTURE (RECESSED)
 - XX LIGHT FIXTURE DESIGNATION- REFER TO FIXTURE SCHEDULE



ENLARGED ENTRY AREA LIGHTING, POWER, RECEPTACLE & TELEPHONE SERVICE PLAN
SCALE: 1/4"=1'-0"

214444-BEI PROJ: ECI (S) CAD: 2009 Projects: 09201\0920E21.dgn 11/19/2009

07-13-09	DESIGN DEVELOPMENT PHASE				
09-08-09	SITE PLAN REVIEW				
10-30-09	ISSUED FOR BIDS				
11-20-09	ADDENDUM #1				

BEI Associates, Inc.
Architects & Engineers
BEI 601 West Fort Street
Detroit, MI 48226
313-963-2300
WWW.BEIASOCIATES.COM
ARCHITECT / ENGINEER OF RECORD

WAYNE COUNTY DOWNRIVER ANNEX
15800 Northline Road, Southgate MI

Scale:	AS SHOWN	Drawn:	BRS	Drawing No.:	E2.1
BEI No.:	09001	Arch./Engr.:	A.K. PATEL		
Seal:					

Drawing Title:
EXISTING ELECTRICAL ROOM LAYOUT & POWER SYSTEM ONE-LINE DIAGRAM